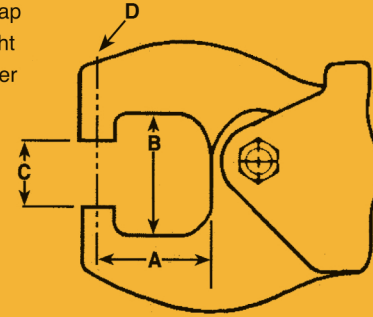


SPECIFICATIONS

MODEL NO.	CAPACITY COLD RIVET				STANDARD JAW						MOVING JAW				NET WEIGHT WITH JAWS		LENGTH	
	Alum.		Steel		A Reach		B Gap		C Closed Height		Maximum Travel		Max. Force With 90 P.S.I.					
	in.	mm	in.	mm	in.	mm	in.	mm	in.	mm	in.	mm		pounds	lbs.	kg.	in.	mm
6000A - 1-1/2"	3/16	4.8	5/32	4.0	1-1/2	38	1-5/8	41	7/8	23	5/8	16	6500	5-1/2	2.5	12	305	
6000A - 2-1/4"	5/32	4.0	1/8	3.2	2-1/4	57	2-1/8	54	1	25	1	25	5000	6	2.7	13	330	
6000A - 3"	1/8	3.2	3/32	2.4	3	76	2-5/16	58	1	25	1-1/8	25	4000	6-1/4	2.8	13-3/4	350	
6000A - 3-1/2"	1/8	3.2	3/32	2.4	3-1/2	89	3-5/16	84	1	25	1-5/16	33	3500	6-1/2	2.9	14-1/4	362	

ALLIGATOR NOMENCLATURE

- A Reach
- B Total Yoke Gap
- C Closed Height
- D Hole Diameter



PARTS NUMBERS

ITEM	PART NO.	DESCRIPTION	QUAN.
1	190,001	WASHER, THRUST, MAIN BEARING	2
2	040,007	ROLLER, MAIN BEARING, INNER	1
3	040,004	NEEDLE, ROLLER	35
4	120,020	MAIN BEARING, COMPONENTS	1
5	*	(SEE JAWS PARTS NUMBERS)	
6	*	(SEE JAWS PARTS NUMBERS)	
7	080,003	GUARD, ROLLER	1
8	160,003	SCREW, ROLLER GUARD	1
9	120,019	END ROLLER, COMPLETE	1
9a	040,005	END ROLLER, OUTER	1
9b	040,004	NEEDLE, ROLLER	29
9c	040,006	END ROLLER, INNER	1
10	220,009	END ROLLER, SHAFT	1
11	190,012	WASHER, THRUST .750 X .010	4
12	120,005	ASS'Y WEDGE ROLLER, HEAVY DUTY	2
12a	040,021	ROLLER, OUTER .750 X .470	2
12b	040,020	NEEDLE, ROLLER .0625 X .450	2x20
12c	220,002	SHAFT, ROLLER	1
13	120,024	ASS'Y WEDGE ROLLER COMPLETE	1
14	110,000	HANDLE, THROTTLE, LEVER	1
15	180,002	NUT, BEARING SHAFT	1
16	190,002	WASHER, BEARING BOLT	1
17	050,039	BOLT, BEARING SHAFT	1
18	220,006	SHAFT, BEARING REAR	1
19	230,001	"C"-RING, BEARING SHAFT REAR	2
20	200,005	SPRING, LEAF "MOVING JAW RETURN"	1
21	220,007	PIN, LEAF SPRING	1
22	007,000	HOUSING, CYLINDER, BARE	1
23	200,001	SPRING, INNER "PISTON RETURN"	2
24	200,002	SPRING, OUTER "PISTON RETURN"	2
25	050,040	WEDGE	1
26	220,005	PIN, FORK	1
27	050,006	FORK, WEDGE	1
28	120,001	ASS'Y, PISTON	1
29	140,000	LEATHER, PISTON CUP	2
30	190,000	PLATE, PISTON LEATHER, BACKUP	2
31	050,027	SHAFT, PISTON	1
32	230,000	RING, SNAP	2
33	150,003	"O" RING, SPACER INNER	1
34	050,013	SPACER, CYLINDER	1
35	150,004	"O" RING, SPACER OUTER	1
36	050,038	PISTON, REAR	1
37	180,001	NUT, THIN 3/8" X 24 SELF-LOCKING	1
38	100,000	GASKET, CYLINDER HEAD	1
39	120,012	ASS'Y, CYL. HD. COMPLETE	1
40	120,006	ASS'Y, CYL. HD. (LESS AIR INLET #56)	1
41	160,000	SCREW, CYLINDER HEAD	6
42	160,002	SCREW, LEVER ARM	1

PARTS NUMBERS

ITEM	PART NO.	DESCRIPTION	QUAN.
43	200,003	SPRING, THROTTLE LEVER	1
44	090,000	LEVER, ARM THROTTLE	1
45	150,000	"O" RING, VALVE	1
46	200,004	SPRING, VALVE	1
47	150,010	"O" RING, BUSHING	1
48	050,036	BUSHING, VALVE SAFETY	1
49	030,001	CYLINDER HEAD, BARE	1
50	050,014	VALVE	1
51	150,001	"O" RING, SWIVEL BOLT	1
52	050,031	BOLT, SWIVEL	1
53	150,002	"O" RING, SWIVEL NUT	1
54	050,015	NUT, SWIVEL	1
55	050,030	ELBOW, INLET 1/4" NPT	1
56	120,007	ASS'Y, SWIVEL	1

JAW PARTS NUMBERS

ITEM	PART NO.	DESCRIPTION	A		QUAN.
			REACH	HOLE	
5	275,001	JAW, MOVING	1-1/2"	3/16"	1
6	285,001	JAW, STATIONARY	1-1/2"	3/16"	1
5	275,002	JAW, MOVING	1-1/2"	1/4"	1
6	285,002	JAW, STATIONARY	1-1/2"	1/4"	1
5	275,003	JAW, MOVING	2-1/4"	3/16"	1
6	285,003	JAW, STATIONARY	2-1/4"	3/16"	1
5	275,004	JAW, MOVING	2-1/4"	1/4"	1
6	285,004	JAW, STATIONARY	2-1/4"	1/4"	1
5	275,005	JAW, MOVING	3"	3/16"	1
6	285,005	JAW, STATIONARY	3"	3/16"	1
5	275,006	JAW, MOVING	3"	1/4"	1
6	285,006	JAW, STATIONARY	3"	1/4"	1
5	275,007	JAW, MOVING	3-1/2"	3/16"	1
6	285,007	JAW, STATIONARY	3-1/2"	3/16"	1
5	275,008	JAW, MOVING	3-1/2"	1/4"	1
6	285,008	JAW, STATIONARY	3-1/2"	1/4"	1

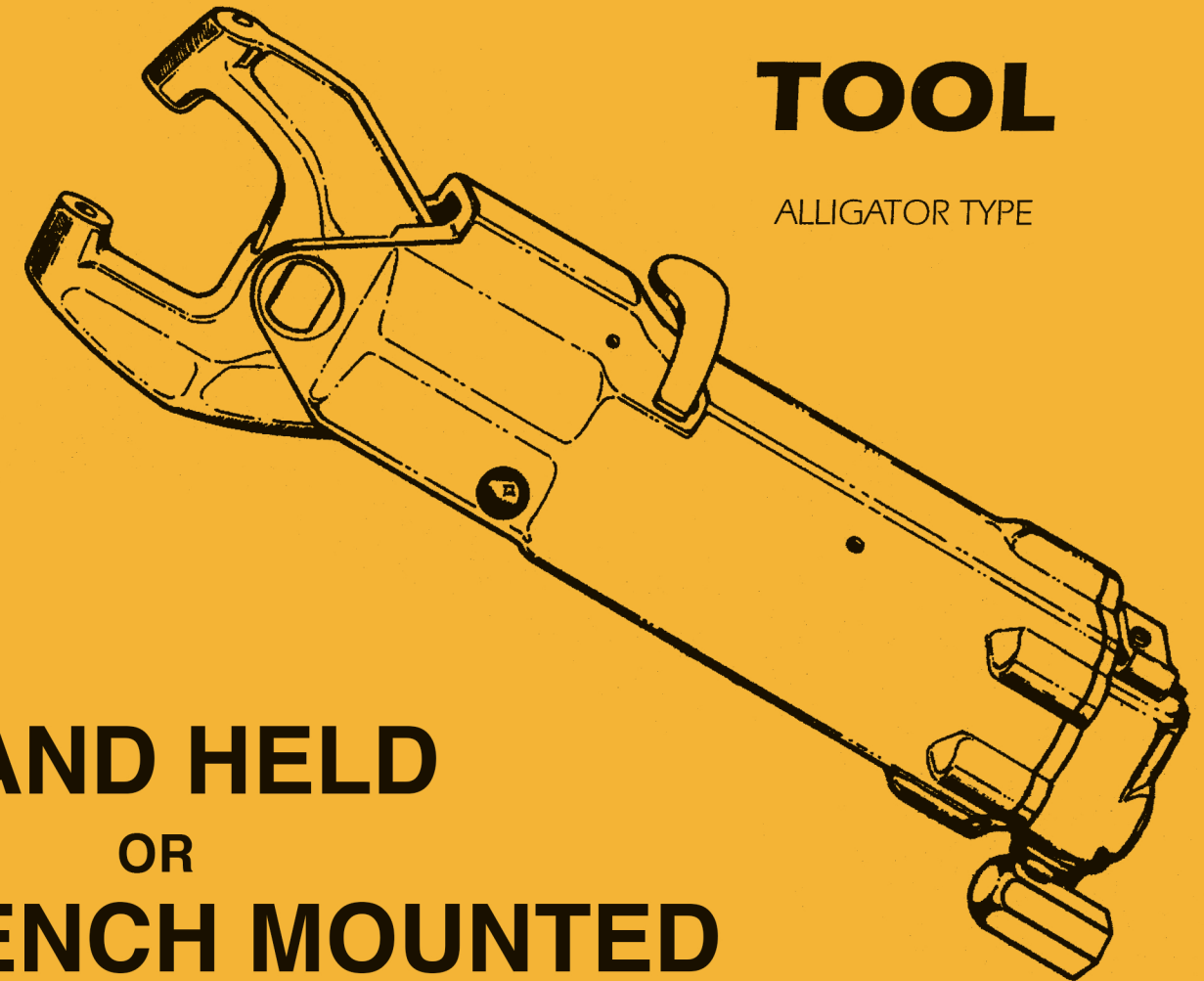
GP TOOLS

HANDCRAFTED AMERICAN RIVETERS



MODEL 6000 A COMPRESSION TOOL

ALLIGATOR TYPE



HAND HELD OR BENCH MOUNTED

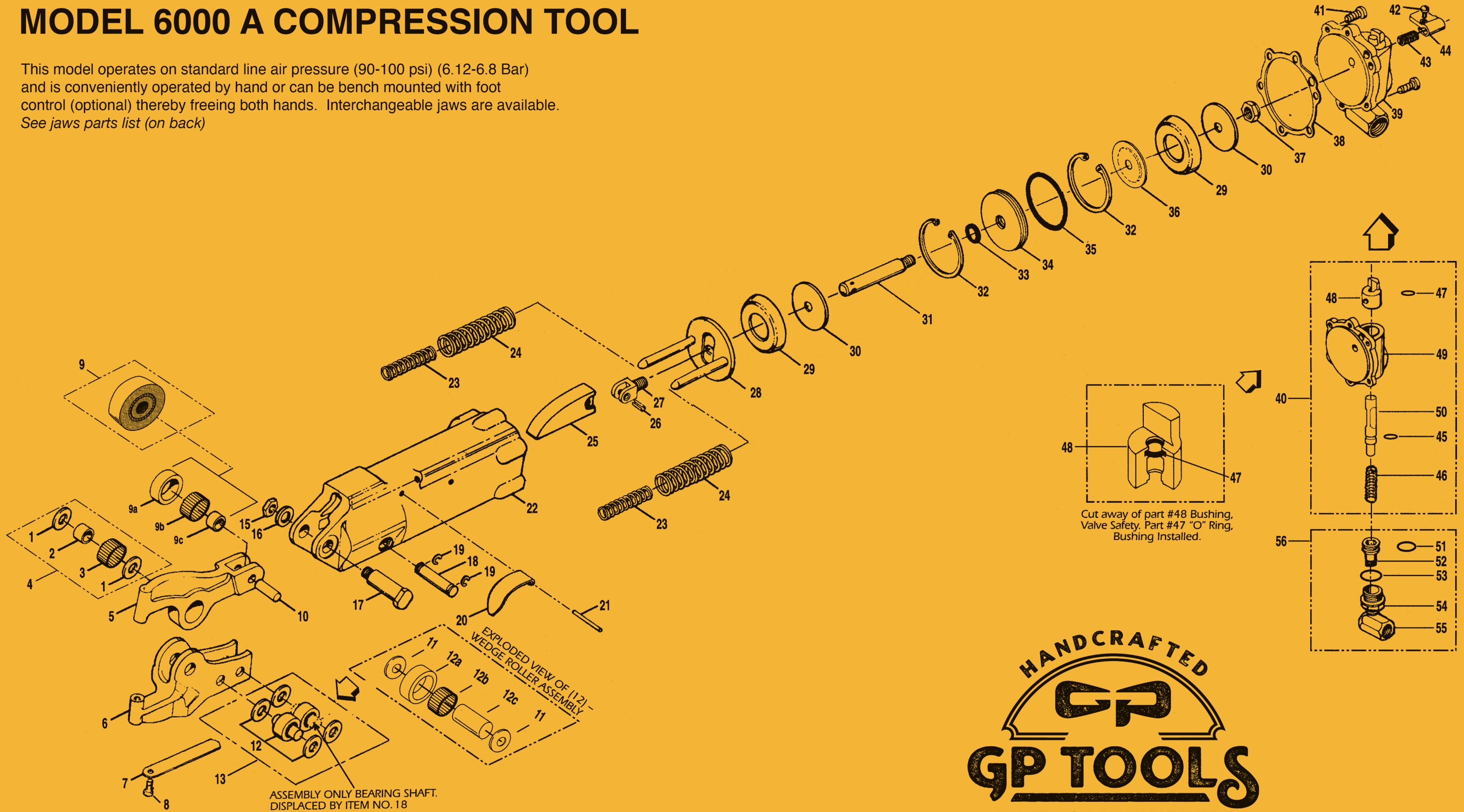
MANUFACTURING FACILITY
1900 Heyrend Way,
Idaho Falls, ID, 83402
208-773-8080

E-MAIL
info@gptools.com

WEBSITE
www.gptools.com

MODEL 6000 A COMPRESSION TOOL

This model operates on standard line air pressure (90-100 psi) (6.12-6.8 Bar) and is conveniently operated by hand or can be bench mounted with foot control (optional) thereby freeing both hands. Interchangeable jaws are available. See jaws parts list (on back)



IDAHO FALLS LOCALLY OWNED ESTD 1972